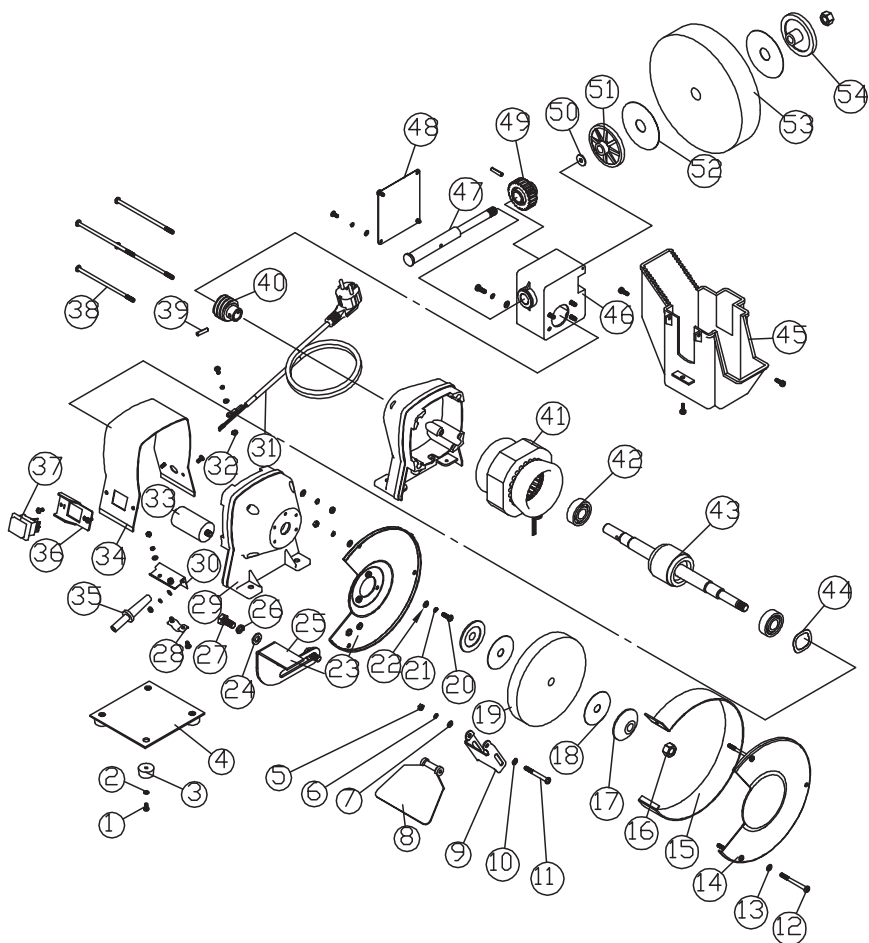


## Exploded drawing of Bench Grinder RDP-BG03



- |                       |                       |                       |
|-----------------------|-----------------------|-----------------------|
| 1.Screw               | 19.Wheel              | 37.Switch             |
| 2.Washer              | 20.Screw              | 38.Bolt               |
| 3.Rubber Feet         | 21.Spring             | 39.pin                |
| 4.Base Plate          | 22.Washer             | 40.Worm wheel         |
| 5.Nut                 | 23.Inner guard        | 41.Stator             |
| 6.Spring washer       | 24.Washer             | 42.Bearing            |
| 7.washer              | 25.Tool rest          | 43.Rotor              |
| 8.Eye shield          | 26.Spring washer      | 44.Udee spring        |
| 9.Eye shield bracket  | 27.Screw              | 45.Water trough       |
| 10.Washer             | 28.Cord clamp         | 46.Worm gear base     |
| 11.Bolt               | 29.Motor cover        | 47.Axis of worm gear  |
| 12.Bolt               | 30.Clamp bracket      | 48.Cover              |
| 13.Washer             | 31.Cord& plug         | 49.Worm gear          |
| 14.Other guard        | 32.Tooth washer       | 50.Washer             |
| 15.Ring guard         | 33.Capacitor          | 51.Flange             |
| 16.Nut                | 34.Motor middle cover | 52.nameplate of wheel |
| 17.Flange             | 35.Cord sleeve        | 53.Wet wheel          |
| 18.Nameplate of wheel | 36.swith plate        | 54.Flange             |